



t: 0845 641 0716
w: www.ashwoods.org

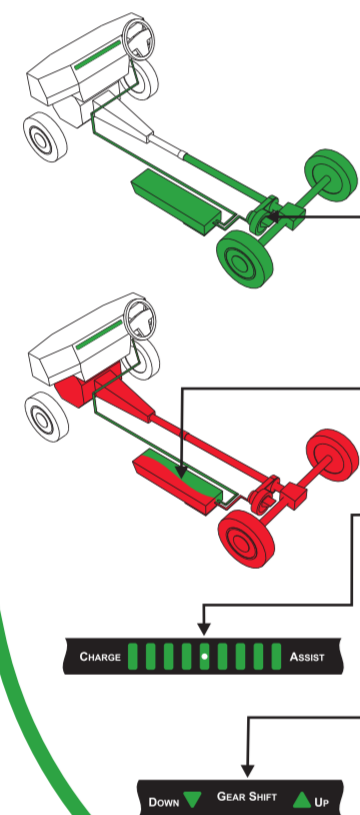
Hybrid Vehicle Instructions

How does it work:

- Electric Motor/Generator assists when vehicle is inefficient (during acceleration)
- Battery stores energy during deceleration and braking
- Driver display informs user of Hybrid Performance

How do I use it:

- Drive as normal but follow the gearshift indicator for optimal Hybrid performance



t: 0845 641 0716
w: www.ashwoods.org

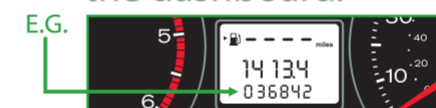
Fuel Log Instructions

* Alarm will sound after refuelling

Step 1: Key in the number of litres fuelled, as displayed on the fuel pump, or on your receipt.

Step 2: Press **Enter**

Step 3: Key in the vehicle mileage, as displayed on the odometer on the dashboard.



Step 4: Press **Enter**

* Alarm will stop once information is successfully entered



1	2	3	
4	5	6	
7	8	9	Reset
.	0	Del	Enter

* Press **Reset** at any time to restart sequence